

Integral Loudspeaker

Models 13350 / 13351



Features

- **Easy and inexpensive to install.**
- **Completely weatherproof with all mounting holes, conduit entries and electrical terminations integrated into the rear enclosure.**
- **Increased intelligibility-asymmetrical vertical coverage reduces ceiling reflections.**
- **Resistant to harsh, caustic and outdoor environments, housed in durable, glass-reinforced polyester.**
- **Conduit entry from top or bottom. Rear enclosure is completely reversible with the front assembly.**



13350/13351 offers easy installation eliminating the need for a mounting assembly.

GAI-TRONICS revolutionary Model 13350/13351 Integral Loudspeakers provide all-purpose paging in a compact size. These truly weatherproof outdoor loudspeakers are suited for commercial as well as industrial applications. Other speakers may be rain-tight, but only the 13350/13351 can withstand a direct hosedown without impaired performance.*

Constructed of glass-reinforced polyester, these units stand up to harsh industrial solvents, are UV-resistant and completely weatherproof. Non-intrusive mounting holes and fully sealable conduit entries make the units water-tight, resisting salt spray and almost any other caustic agent.

The Model 13350 is a standard 8 ohm speaker; the Model 13351 is supplied with a transformer for 70-volt system applications, accessed via internal taps. The 3/4" dual

conduit entries allow speakers to be "daisy-chained" without junction boxes (particularly desirable in 70-volt distributed systems).

Installation is fast and easy, saving on costly labor. The rear enclosure is mounted and connected; the front enclosure, containing the main functional components, is simply plugged in and screwed down.

GAI-TRONICS' Model 13350/13351 Integral Loudspeakers provide the ideal combination of durability and functionality for today's industrial and commercial environments. Call your local GAI-TRONICS representative for more information on these and other innovative products.

*Unit is not intended for underwater use.

Integral Loudspeaker

Models 13350 / 13351



Specifications

Electrical (Typical)

Power: 16 watt continuous
Impedance: 8 ohms (13350), 70.7 V line matching transformer (13351)
Sensitivity: 117 dB (1 meter on axis at 12 watt rated input);
106 dB (1 watt at 1 meter)
Frequency Response: 450 Hz to 3000 Hz +/-5 dB
Dispersion: 90 degrees nominal horizontal coverage; +40, -60 vertical coverage

Mechanical

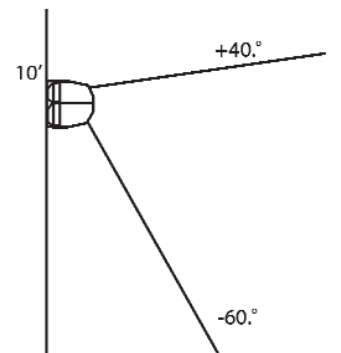
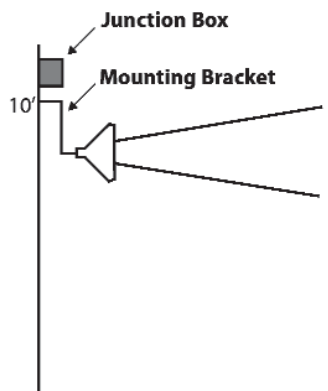
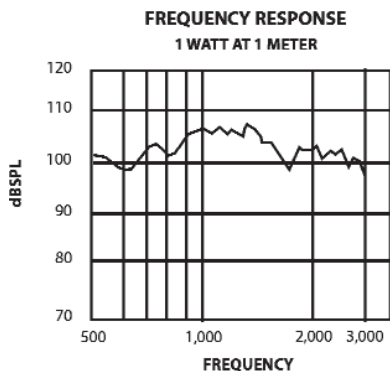
Mounting: Direct wall mounting
Conduit Entry: Dual 3/4" NPT female entry
Tap Select: Terminal block
Hookup to Amp: Terminal block
Housing Material: Glass-reinforced polyester
Dimensions: 9.52 (241.8) x 8.02 (203.7)W x 8.12 (206.2)D; inches (mm)
Operating Temperature: -40° C to +70° C (-40° F to 158° F)
Net Weight: 13350: 6.4 lbs (2.9kg)
13351: 7.5 lbs (3.4kg)
Environmental: Dust-tight, rain-tight, weatherproof

Engineering Specifications

Speaker shall be direct-radiating horn with an asymmetrical shape for efficient sound dispersion and equipped with a built-in-driver. Frequency response shall be 450 Hz to 3000 Hz +/-5 dB, and dispersion shall be 90 degrees nominal. Horn assembly shall be constructed of U.V.-resistant, weatherproof, high-impact, glass-reinforced polyester. Sound pressure level shall average 117 dB, 1 meter on axis at 12 watt input. Voice coil impedance shall be 8 ohms. Power handling capacity shall be 16 watts rms. Horn shall be equipped with two integral .75" (19.05 mm) conduit entries and a terminal block for wire termination. Dimensions of horn shall not exceed 9.52" (241.8mm) H x 8.02" (203.7mm) W x 8.12" (206.2mm) D. Shipping weight shall not exceed 6.6 lbs (3.5 kg) for 13350.

Accessories

No accessories required. Provisions for mounting inherent in design. Model 13350/13351 is designed to provide optimal sound coverage, eliminating hardware/bracket expenses and installation costs.



Standard speakers require a mounting bracket to accurately direct sound. The computer-aided design of the 13350 and 13351 provides optimal sound coverage, eliminating the need for mounting hardware and brackets. All wiring is terminated within the weatherproof speaker housing, again removing the need for installing costly junction boxes.



USA Toll Free: 1 (800) 492-1212 Tel: (610) 777-1374 Fax: (610) 796-5954 www.gai-tronics.com
UK Tel: +44 (0)1283 500500 Fax: +44 (0)1283 500400 www.gai-tronics.co.uk
Italy Tel: +39 02 48601460 Fax: +39 02 93663110 www.gai-tronics.com
Asia Tel: +(65) 6282 2242 (Press 4 for GAI-TRONICS) www.gai-tronics.com
Australia Tel: 011-61-28-851-5000 Fax: 011-61-29-899-2490 www.austdac.com.au

